

Prezident Maktablariga Kirish Imtihoni Uchun Sinov Testi

4-5 Sinflar uchun

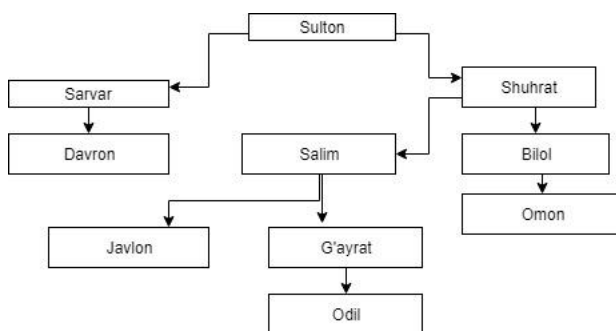
- **Masala Yechish**
- **Tanqidiy Fikrlash**
- **Ingliz tili**

Test tuzuvchi: Yusup Mirjonov

Urganch 2019

Tanqidiy Fikrlash

1.



Odil o'z oilasining shajarisini ko'rib chiqmoqda. Shajarada otadan o'g'illarga bo'lgan yo'nalish ko'rsatilgan. Odilning otasi, shu otaning akasi, shu akaning bobosi, shu boboning akasi, shu akaning o'g'lini aniqlab borib, shu o'gilning ismini toping.

A Javlon **B** Davron **C** Shuhrat **D** Sarvar **E** Omon

2. Shahnoza Po'latdan kichik, Komil Po'latdan yosh, Tohir Shahnozadan kichik, lekin eng kichik emas. Ularning ismini yoshiga qarab, kattadan kichik tartibda yozib chiqing.

A Po'lat > Tohir > Shahnoza > Komil

B Shahnoza > Komil > Tohir > Po'lat

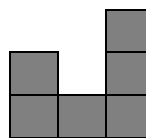
C Komil > Tohir > Po'lat > Shahnoza

D Po'lat > Shahnoza > Tohir > Komil

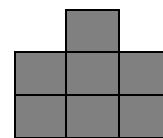
E Tohir > Komil > Shahnoza > Po'lat

3.

Bolalar kubiklarga oldidan qaralganda Rasm 1, chapdan qaralganda Rasm 2 bo'lib ko'rinadigan uychalar yasashadi. Bu uychalarni qurish uchun eng kam va eng ko'pi bilan nechta kubiklar ketadi.



Rasm 1



Rasm2

A Eng kam - 10 , Eng ko'p - 20

B Eng kam - 8 , Eng ko'p - 16

C Eng kam - 12 , Eng ko'p - 24

D Eng kam - 16 , Eng ko'p - 36

E Eng kam - 15 , Eng ko'p - 45

4. Qadimiy tangalar yig'ishga qiziquvchi sayyoh qadimiy buyumlar sotadigan do'konda "Miloddan avvalgi 130 – yilda ishlab chiqarilgan " deb yozilgan tangani ko'radi. Lekin tanga arzon bo'lishiga qaramay sayyoh tangani sotib olmadi.

Quyidagilardan qaysi bir sayyohning qarorini **eng ko'p** asoslaydi.

A Sayyoh avtobusga kech qolib tugani tufayli sotib olishga vaht topa olmadi.

B Sayyoga sotuvchining muomilasi yoqmadi. Sayyoh azon so'radi ammo sotuvchi keskin rad qildi.

C Sayyoh tangani qalbaki deb o'yladi chunki miloddan avval tanga ishlab chiqarilmagan va yil hisobi bo'lmagan.

D Sayyoh tangani o'zi oylagandan ko'ra ham eski ekanini bilib qoldi va sotib olish fikridan qaytdi.

E Sayyoh tangani yana qaytib sotib foyda qilishiga ko'zi yetmadi.

5. Qorovul ertalab o'z xo'jayinini kutib olibdi va unga "Bugun tunda yomon tush ko'rdim. Siz uchmoqchi bo'lgan samalyot halokatga uchraganmish. Shuning uchun shu samalyotda uchmang ", debdi. Xo'jayin qorovulning aytganini qilib, o'sha samalyotda uchmabdi. O'sha samalyot rosdan ham halokatga uchrabdi. Buni eshitgan xo'jayin qorovulga katta pul mukofot beribdi, lekin uni ishdan haydabdi.

Quyidagilardan qaysi bir boshliqning kutilmagan qarorini eng ko'p asoslaydi?

A Tashkilotda qorovulga ehtiyoj kamaygan.

B O'sha samalyotda uchmagani uchun xo'jayin muhim majlisga kech qolgan.

C Qorovul shum habar yetkazgan.

D O'sha samalyotda boshliqning do'stlari bo'lgan va ular halokatga uchragan.

E Qorovul tush ko'rgan kechasi ish vahtida uhlagan.

6. Keyingi guruh harflarini toping?

cabh....daci....eadj....faek.... __?__

A gafi **B** geek **C** cakl **D** falg **E** gbfl

7. Agar birinchi va ikkinchi gaplar to'g'ri bo'lsa, uchinchi gap to'g'ri, xato yoki aniqlab bo'lmashligini toping.

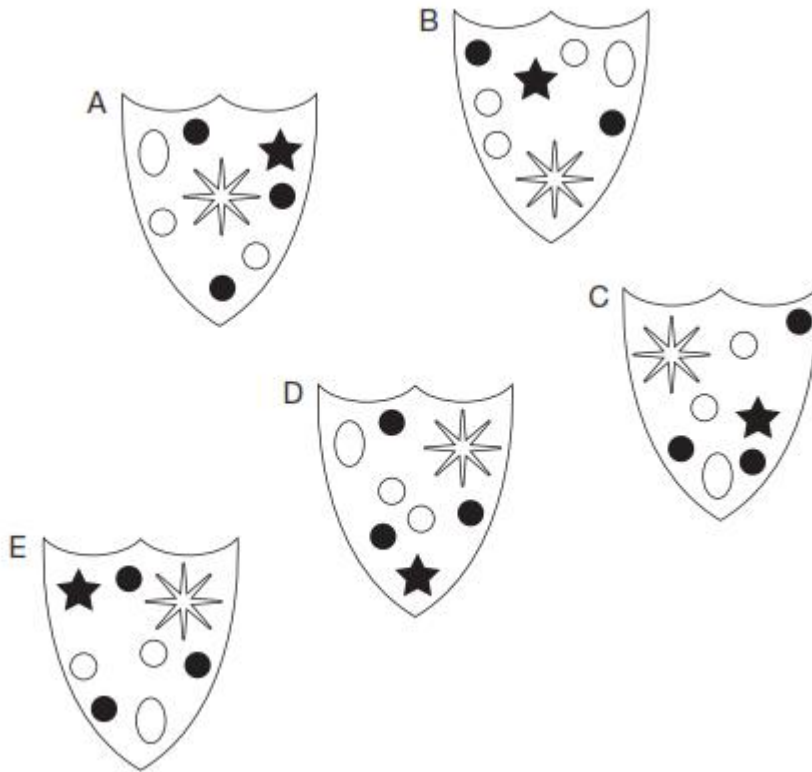
- 1) Sohibjon Loladan uzunroq.
- 2) Lola Jahongirdan bo'yi pastroq.
- 3) JahongirSohibjondan uzunroq.

A To'g'ri B Xato C Aniqlab bo'lmaydi

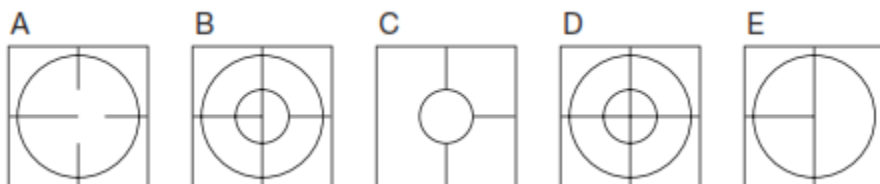
8. Bolalar futbol o'ynab, derazani sindirishdi. Uy egasi chiqib, kim sindirganiligini so'radi. Ali oynani Vali sindirganini, Vali esa Soli sindirganini aytdi. Soli esa deraza oynasini o'zi sindirganini aytdi. Uchala bola gapi yolg'on bo'lsa, oynani kim sindirgan?

A Ali B Vali C Soli D Uy egasi

9. Quyidagi rasmlardan biri boshqalaridan farqlanadi, o'shani toping.



10. Quyidagi rasmda so'roq belgisi o'rnida keladigan shaklni toping.



11. Feruza, Fozil, Shoira, Sherzod va Salima dam olish kuni madaniy hordiq chiqarishga borishdi. Ulardan biri teatrda, ikkinchi kinoga, uchinchi sirkka, to'rtinchisi hayvonot bog'iga, beshinchi muzeyga onasi, xolasi, otasi, akasi yoki opasi bilan birga boribdi. Quyidagi ma'lumotlardan foydalanib kim qayerga kim bilan borganini toping.

- Qizlardan biri hayvonot bog'iga bormoqchi;
- Fozilning akasi birga boramiz deb so'z bergan;
- Kim opasi bilan borasa, u muzeyga borib kelmoqchi;
- Feruza kinoga bormaydi;
- Salimaning xolasi teatrni yoqtiradi;
- Sherzod otasi bilan sirkka bormaydi;

Javoblarni jadvaldan toping.

A

	Qayerga	Kim bilan
Feruza	Teatrda	Onasi bilan
Fozil	Sirkka	Opasi bilan
Shoira	Muzeyga	Akasi bilan
Sherzod	Kinoga	Xolasi bilan
Salima	Hayvonot bog'iga	Otasi bilan

B

	Qayerga	Kim bilan
Feruz	Muzeyga	Onasi bilan
Fozil	Sirkka	Otasi bilan
Shoira	Hayvonot bog'iga	Opasi bilan
Sherzod	Kinoga	Akasi bilan
Salima	Teatrga	Xolasi bilan

C

	Qayerga	Kim bilan
Feruz	Hayvonot bog'iga	Opasi bilan
Fozil	Teatrga	Akasi bilan
Shoira	Muzeyga	Onasi bilan
Sherzod	Kinoga	Otasi bilan
Salima	Sirkka	Xolasi bilan

D

	Qayerga	Kim bilan
Feruz	Hayvonot bog'iga	Onasi bilan
Fozil	Sirkka	Akasi bilan
Shoira	Muzeyga	Opasi bilan
Sherzod	Kinoga	Otasi bilan
Salima	Teatrga	Xolasi bilan

E

	Qayerga	Kim bilan
Feruz	Sirkka	Onasi bilan
Fozil	Hayvonot bog'iga	Akasi bilan
Shoira	Muzeyga	Otasi bilan
Sherzod	Kinoga	Opasi bilan
Salima	Teatrga	Xolasi bilan

12. Robotlashtirish maxsulot ishlab chiqarishda harajatlarni qisqartirib, daromadni eng ko'p olish uchun juda muhim vosita. Urganch shahar shifohonasi harajatlarini kamaytirib, daromadini o'stirishni hohlayabdi. Shundan kelib chiqib, bu shifohonada davolash uchun robotlardan keng miqyosda foydalanish tavsiya qilindi. Ammo bu taklifni rad qilish kerak. Davolashni keskin robotlashtirish bemorlarni bu shifohonaga ishonchini yo'qotishi mumkin. Chunki tadqiqotlar shuni ko'rsatadiki, bemorlar inson shifokorlardan shaxsiy davo olishni hohlashadi.

Quyidagilardan qaysi biri muallifning asosan nima demoqchiligini ko'rsatadi.

A Shifohonadagi davolash tizimini keskin robotlashtirmaslik kerak.

B Bemorlar pullik shaxsiy muolajani hush ko'rishadi.

C Ishlab chiqarishdagi qonuniyat tibbiyotda ko'l kelmaydi.

D Tibbiyot boshqaruvichilari juda ochko'z bo'lib ketishdi.

E Borib – borib, tibbiyot baribr robotlashtiriladi.

13. OVQAT: OCHLIK ushbu so'zlar aloqasidan kelib chiqib, shunga o'xshash juftlikni toping.

A Bolta: Yog'och B Tosh: Tegirmon C Pichoq: Tosh D Miltiq: Ov

14. Agar *maktab* so'zini *AMTKBA* shaklida kodlash bilan yozilsa, *do'stim* so'zi qay tarzda qodlanadi?

A o'stdmi B o'mdist C o'dtsmi D o'timds E o'dstmi

15. Bemor savollarga faqat "Ha" yoki "Yo'q" deb javob beraoladi. Ikki savol bilan uni to'rt qavatli binoning qaysi qavatida yashashini aniqlash kerak. Ikkichi savolda ma'lum bir etajni raqamini aytib, shunda yashash, yashamasligini so'rashadi. Birinichi savol qanday bo'lishi kerak?

A Siz birinchi qavatda yashaysizmi?

B Siz ikkinchi qavatda yashaysizmi?

C Siz uchinchi qavatda yashaysizmi?

D Siz to'rtinchi qavatda yashaysizmi?

E Siz qaysi qavatda yashaysiz?

16. Agar shahar ichiga 8 tonnadan og'ir yuk mashinalarini kirishi cheklansa, yuk mashinalar shaharga kirolmaydi va bu shahardagi transport qatnovini keskin kamaytiradi.

Quyidagi qaysi ma'lumot yuqoridagi taklifni samarasiz ekanligini bildiradi.

A Shahar tashqarisidagi yo'llarning sifati juda yaxshi.

B Shahar tashqarisida mashina qatnovi kam.

C Shaharda harkatlanadigan yuk mashinalarning faqar ozginasi 8 tonnadan yuqori og'irlikda.

D Shaharda yengil mashinalar ko'pincha yuk mashinalari bilan to'qnashib ketishadi.

E Shaharda qurilish ishlari katta zarar ko'rishi mumkin chunki ular yuk mashinaladan foydalanadilar.

Masala Yechish

1. Uchta guldonda jami 21 atirgul bor. Birinchi va ikkinchi guldonda 16 ta, birinchi va uchinchi guldonda 12 ta atirgul bor. Eng ko'p gulli guldonda eng kam gulli guldondan qancha ko'p gul bor?

A 5 B 4 C 2 D 3 E 1

2. Likopchada olma, nok va apelsin bor. Likopchadan ularni necha usulda olish mumkin? Mevalarni oldinma-ketin faqat bittadan olish mumkin.

A 3 B 4 C 6 D 8 E 9

3. Lift 1-chi qavatdan 3-chi qavatga ko'tarilganda 8 m masofani bosib o'tadi. 1-chi qavatdan 9-chi qavatga ko'tarilganda lift necha metr masofani bosib o'tadi?

A 30 B 27 C 36 D 32 E 35

4. Ushbu rasmdagi quyonlar yonidagi kataklarga sakrab o'tishi mumkin. Har bir garizontal, vertikal va diogonal kataklarda ikkitadan quyon bo'lishi uchun eng kamida nechta quyon sarkashi kerak?



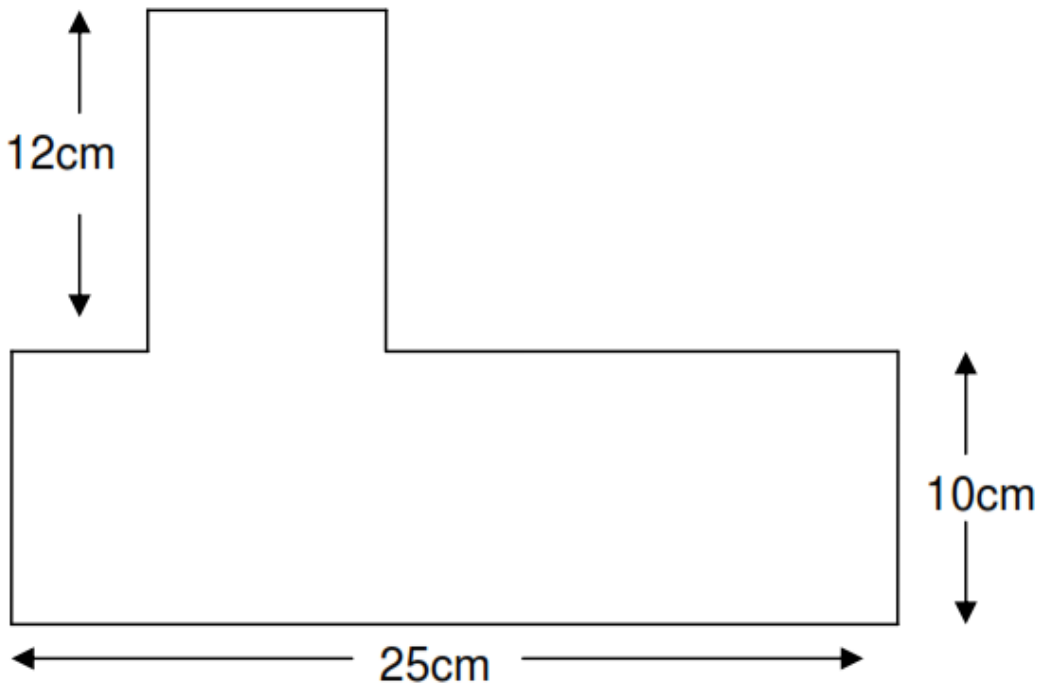
A 2 B 3 C 4 D 5 E 6

5. Podshoning ajoyib bog'i bor ekan. Podshoni davolagan tabib xizmati evaziga boryo'g'i bog'dagi olmalardan bir donasini olishga ruxsat so'rabdi. Podsho ruxsat beribdi. Bog' uchta devor bilan o'ralgan bo'lib, bog'ga kirish uchun uchta eshikdan o'tish kerak ekan. Tabib bog'ga kirish uchun birinchi eshikdan kirayotganda qorovul: " Bu eshikdan qaytib chiqayotganda qo'lingdagi olmalarning yarmini menga qoldirasan", debdi. Ikkinchi va uchinchi eshikdagi qorovul ham huddi birinchi eshikdagi qorovulning gapini aytibdi.

Tabib shu bog'dan bitta olmani qiziga olib borishi uchun bog'dan nechta olma olishi kerak?

- A 3 B 4 C 6 D 10 E 8

6. Quyidagi shaklning perimetrini toping.



- A 47 cm B 72 cm C 69 cm D 94 cm E 100 cm

7. Quyidagi ko'paytmada b o'rnidagi sonni toping.

$$\frac{3a^8}{73c}$$

- A 2B 3 C 4 D 5 E 6

8. Nonvoyxona kecha ochilgan bo'lib kuniga 80ta non yopib sotadi. Nonlarning yarmini tushlikgacha sotadi, va qolgan nonlarning 80 foizini bo'lsa tushlik bilan nonvoyxona yopilguncha sotadi.

Nonvoyxona yopilganda hali qancha non sotilmagan bo'ladi?

A 1 B 2 C 3 D 4 E 5

9. Agar Shovotlandiya aholisi har 15 sekunda bir insonga ko'paysa, 20 minutda aholi qancha o'sadi?

A 80 B 100 C 150 D 240 E 300

10. Jadval ma'lum bir kunlardagi bilet sovdosini ko'rsatadi. Eng qimmat sotilgan bilet bilan eng azron bilet orasidagi farqni toping.

Namoyish vaqti	Bilet bahosi	Sotilgan biletlar jami summasi
Payshanba kechqurun	40	9600
Juma kechqurun	50	10500
Shanba tushlik	30	7500
Yakshanba kechqurun	60	13800

A 30 B 20 C 60 D 10 E 40

11. 150 soni 30 ning necha foizi?

A 5% B 20% C 50% D 200% E 500%

12. Jo'rabek va Akbar bir qancha yashiklarni kitoblar bilan to'ldirib chiqishdi. Agar Akbar 60 yashiklarni to'ldirib chiqqan bo'lsa, Jo'rabek to'ldirgan yashiklar sonini Akbar to'ldirgan yashiklarga nisbatini toping.

A 1 ga 6 B 1 ga 4 C 2 ga 5 D 3 ga 5 E 2 ga 3

13. Dilshod bir yashik olma sotyabdi. Birinchi xaridor olmalarning $\frac{2}{5}$ qismini sotib oldi, ikkinchi xaridor qolgan olmalarning $\frac{3}{4}$ qismini sotib oldi va uchinchi xaridor qolgan olmaning $\frac{2}{3}$ qismini oldi. Shundan keyin 1 kg olma qoldi.

Dilshod qancha olma sotgan.

A 35 B 20 C 30 D 40 E 50

14. Quyidagi ketma-ketlik ma'lum bir mantiqqa asoslanadi. So'roq belgisi o'rnida kelgan sonni toping.

1, 1, 3, 15, 105, __?__

A 1155 B 45 C 315 D 7755 E 5575

15. Hisoblang.

$$\frac{1}{1 + \frac{1}{3}} - \frac{1}{1 + \frac{1}{2}}$$

A $-\frac{1}{3}$ B $-\frac{1}{6}$ C $-\frac{1}{12}$ D $\frac{1}{12}$ E $\frac{1}{3}$

16. Tashkilot 3 ta printer va 1 ta kopyuter sotib oldi. Kompyuterni bahosi qancha?

1. Printer va kompyuterning birgalikdagi bahosi 130000 so'm.

2. Printerning bahosi kompyuterning bahosidan 4 marta katta.

Manashu ikkata ma'lumot yuqoridagi savolga javob berish uchun qanchalik darajada yetarli?

A Faqat birinchi ma'lumot yetarli.

B Faqat ikkinchi ma'lumot yetarli

C Ikkala ma'lumot birgalikda yetarli bo'ladi.

D Har bir ma'lumot alohida o'zi yetarli bo'la oladi,

E Ikkalasi ham birgalikda yetarli bo'la olmaydi.

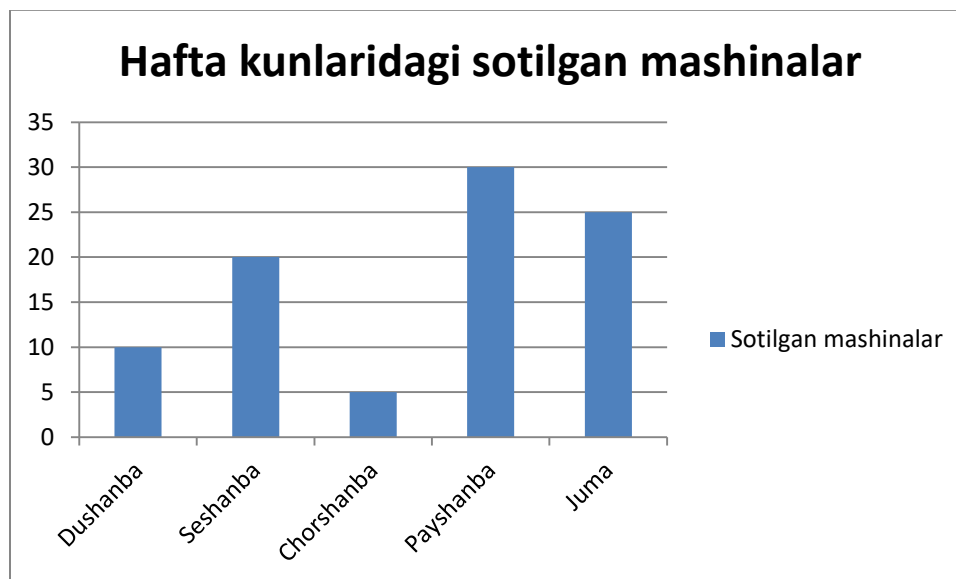
17. Burgutlar va Alplar maktab basketbol jamoalari. Quyidagi jadval ular orasidagi o'yinlar hisobini ko'rsatadi.

Jamoalar/O'yinlar	1	2	3	4	5
Burgutlar	50	28	63	48	39
Alplar	49	35	64	40	45

Bu jadvaldan foydalanib, Alplar yutgan hamma o'yinlar foizini toping.

A 20% B 40% C 60% D 80% E 50%

18. Quyidagi grafikdan kelib chiqib jami barcha kunlardan sotilgan mashinalarni sonini eng kam mashina sotilgan kundagi songa nisbatini toping.



A 7 B 18 C 9 D 10 E 20

19. Daraxt ostida uxlab yotgan kiyik xursand bo'lib uyg'ondi va bir tarafga sakray boshladi. U har sakraganda har-xil 2 m, 4 m, 7 m masofaga sakradi va uchala uzunlikdagi sakrash kamida bir marta amalga oshirildi. Kiyik 10 marta sakragan bolsa quyidagi qaysi masofaga bora olgan bo'lishi ehtimoli yo'q?

A 40 B 36 C 51 D 32 E 59

20. Shokolad plitkasi bir hil bo'laklardan iborat. Kichkina Shokir bu plitkalarni o'zicha hammaga bo'lib berdi. Avval 5 ta bo'lagini sindirib onasiga, keyin 7 ta bo'lagini sindirib otasiga berdi. Uning o'ziga nechta bo'lak qoldi?



A 28 B 30 C 19 D 20 E 35

21. Quyidagi sonlardan qaysi biri birinchi uchta tub songa bo'linadigan to'rt xonali son?

A 120 B 150 C 1020 D 1025 E 1060

22. Agar yog'och uyni qurish 50 ta ishchiga 8 soat oladigan bo'lsa, 30 ishchi shu ishni qanchada bitiradi?

A 9 soat 36 min

B 10 soat 24 min

C 12 soat 24 min

D 12 soat 40 min

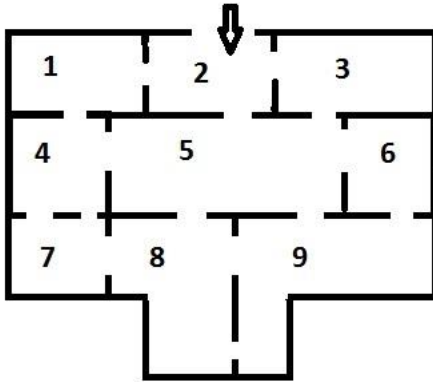
E 13 soat 20 min

23. Agar to'g'ri to'rtburchakning tomonlari 3 marta oshirilsa, uning yuzi necha marta oshadi?

A 3 B 6 C 9 D 12 E 81

24. Har kun ertalab Zaynab kirish eshigi orqali saroyga kiradi va har bir eshikdan faqat birmarta foydalanib hamma 9 ta honadan o'tib, nihoyat qirolichaning xonasida ertak eshitgani to'xtaydi.

Qaysi son qirolichaning honasini ko'rsatadi?



A 1 B 4 C 5 D 9

English

1. It usually snows winter.

A) at B) on C) in D) with

2. You be late for school.

A) must B) can't C) mustn't D) does

3. Mum the washing-up at the moment.

A) is doing B) does C) did D) are

4. They to zoo yesterday.

A) go B) are going C) went D) goes

5. Harry's birthday is February 18th.

A) at B) on C) in D) to

6. I like my brother's motorbike.

A) riding B) ride C) rides D) is ride

7. did you call her?

A) Who B) When C) Why D) Whose

8. I want to buy books.

A) an B) some C) a D) any

9. There aren't flowers in the house.

A) some B) no C) any D) a

10. Clarie dances than Sue.

A) better B) good C) best D) the best

11. Why didn't tell

A) his B) him C) he D) herself

12. There are two at my home.

A) sheep B) sheeps C) sheep's D) sheeps'

13. -Do you like cake?

-Yes, I.....

A) likes B) am C) do D) does

14. There's a of bread on the table.

A) bar B) loaf C) carton D) cup

15. Those shoes are

A) mine B) my C) me D) I

16. This is the bag.

A) lady's B) ladies' C) lady's D) lady

17. Summer is hotter winter.

A) than B) of C) in D) over

18. -..... is that radio?

-My father's

A) When B) Where C) Whose D) Who

19. She milk every morning.

A) is drinking B) drinks C) drink D) drank

20. I usually visit my grandparents Sunday afternoon.

A) on B) at C) in D) to

21. I hate the plates.

A) wash B) washes C) washing D) washed

22. people can you see?

A) How much B) How many C) Where D) Some

23. It Monday yesterday.

A) is B) was C) are D) were

24. A man is sitting a boy and girl.

A) between B) among C) across D) at

25. The baby is sleeping wake up him.

A) Let's B) Don't C) Please D) Do

26. I breakfast with my mother this morning.

- A) did B) was C) had D) am

27. are my friends.

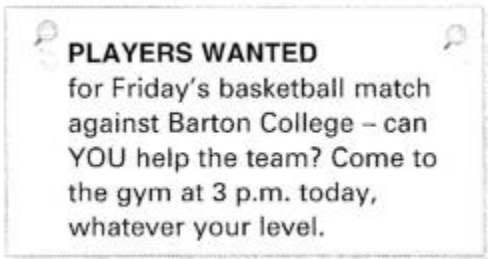
- A) this B) that C) these D) this is

28. Which is true from this picture?



- A) Do not leave your bicycle touching the window.
B) Do not ride your bicycle in this area.
C) Broken glass may damage your bicycle tyres.

29. What is true from this picture?



- A) A basketball team only wants to see experienced players
B) There are not enough team members available on Friday
C) The Barton College team will visit gym later today.

30. Which is true from the picture?

The last person turn off the light please

- A) Don't turn on the light until it is necessary.

B) Turn the lights on when you are in the room.

C) Don't leave the lights on if the room is empty.

31. Kim say that:

Why not bring your new game round tonight - we can use my brother's computer. I am playing football until 7, so anytime after that.

Kim

- A) Meeting at the football match.
B) Going to Ben's house later
C) Playing on his brothers computer

32. Which is true from the picture?



- A) this shop does not do repairs
B) this shop is not open because it is being repaired
C) bring your repairs to this shop

33. Which is true from the picture?



- A) If you want to play you must to stop there
B) Drive carefully, children often play there.
C) Stop children playing here.

34. Which is true from the picture?



- A) These flowers are not for sale.
- B) You are not let to grow flowers there
- C) Flowers must not be taken from this area

35. Which is true from the picture?



- A) Have shorter opening hours until next Friday.
- B) Change its opening hours next Friday.
- C) Opening again for students next Friday.

One day there was an argument between the wind and the sun. Both said they were stronger than the other. They saw a man traveling on the road and decided to make a test to see which was stronger and able to get the man's coat off.

36. The Sun and Wind were having a

- A) doubt
- B) song time
- C) flight
- D) tea

37. The Sun and Wind each said they were

- A) stronger than other
- B) smart
- C) nicer than other
- D) happy

38. The Wind and Sun decided to make man

- A) get upset
- B) happy
- C) take off his coat
- D) take off his hat

My working day starts very early. From Monday to Friday I get up at half past three and I have a shower and a cup of coffee. I usually leave the house at ten past four because the car always arrives a few minutes early. I get to the studio at about five o'clock and start work. My program Good Morning Britain starts at seven o'clock and finishes at nine o'clock. Then I leave the studio at a quarter past ten. After that, I go shopping and visit some friends. I get home at three o'clock. My husband helps me with the housework and the ironing. I read a newspaper and do some work.

39. The person is a woman

- A) true
- B) false

40. She is a television journalist

- A) true
- B) false

41. She drives her car to work

- A) true
- B) false

42. Find the synonym of the word "start"

- A) finish
- B) call
- C) stop
- D) begin

43. What time does she get up during the week?

- A) 3:30
- B) 2:30
- C) 3:45
- D) 3:00

My name is Ben and I come from Australia. I am 24 years old and I live in a small town near Sydney called Branton. I don't have a job now, but normally I clean shop windows. I am not married but I live with my very beautiful girlfriend, Maria, in a nice house in Branton. We don't have any children - maybe next year.

44. Ben comes from Australia, but lives in America

A) true B) false

45. Ben works as a window cleaner

A) true B) false

46. Choose the word out of group

A) apple B) banana C) carrot D) pine apple

47. Choose the word out of group

A) car B) bus C) helicopter D) book

48. Choose the word out of group

A) big B) small C) large D) great

49. Choose the word out of group

A) wolf B) dog C) goose D) cow

50. Choose the word out of group

A) television B) computer C) smartphone D) bag

51. –I will drink tea from this cup.

--Where you it?

A)were /found B)do/find C)did/find D)are/found

52. (on the phone) Hello! Who

A)speaks B)is speaking C)spoke D)speaks

53. A policeman me crossing the street yesterday.

A) see B)has seen C) seed D)saw

54. I am going to London an interview next week.

A) to B) in C) for D) from

55. We are going to invite all friends to the party.

A) us B) we C) ours D) our

math

1	2	3	4	5	6	7	8	9	10	11	12	13	14	15	16	17	18	19	20	21	22	23	24
B	C	D	B	E	D	A	D	A	E	E	E	B	A	D	C	C	B	E	A	D	E	C	A

Critical thinking

1	2	3	4	5	6	7	8	9	10	11	12	13	14	15	16
B	D	B	C	E	A	C	A	B	A	D	A	A	C	B	C

English

1	2	3	4	5	6	7	8	9	10	11	12	13	14	15	16	17	18	19	20
c	c	a	c	b	a	c	b	c	a	b	a	c	b	a	a	a	c	b	A
21	22	23	24	25	26	27	28	29	30	31	32	33	34	35	36	37	38	39	40
c	b	b	a	b	c	c	a	b	c	c	b	b	c	B	A	a	C	a	A
41	42	43	44	45	46	47	48	49	50	51	52	53	54	55					
b	d	a	b	a	c	d	b	a	d	c	b	d	c	d					